

Vascular Pathways

Name: _____

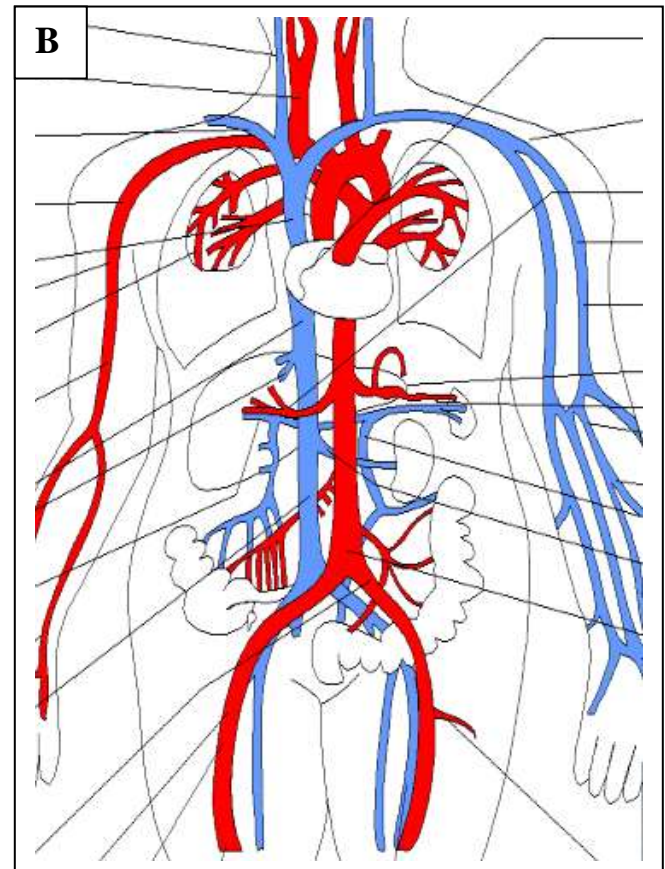
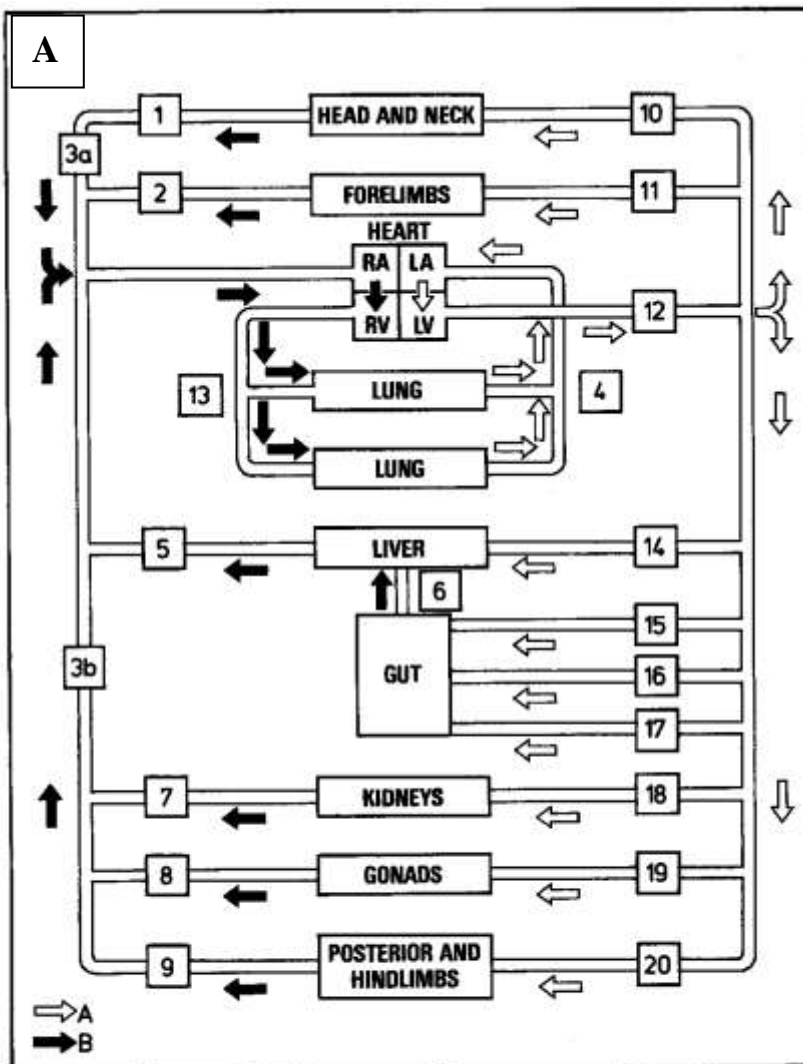
Date: _____

1. Distinguish between pulmonary and systemic circulation.

PULMONARY GOES FROM HEART TO LUNGS AND BACK ONLY
SYSTEMIC GOES FROM HEART TO BODY AND BACK ONLY

2. Using figure "A" as a guide, label figure "B" completely with the words on the following word list.

<ul style="list-style-type: none"> • Subclavian artery and vein • Hepatic vein • Mesenteric arteries • Iliac artery and vein 	<ul style="list-style-type: none"> • Carotid artery • Renal artery and vein • Pulmonary vein • Aorta 	<ul style="list-style-type: none"> • Anterior and posterior vena cava • Jugular vein • Hepatic portal vein
--	--	---



Schematic representation of circulatory system

<p>A, B Direction of blood flow</p> <p>A Oxygen-rich blood</p> <p>B Oxygen-poor blood</p>	<p>1-9 Veins</p> <p>1 Jugular</p> <p>2 Subclavian</p> <p>3 Vena cava</p> <p>3a Superior vena cava</p> <p>3b Inferior vena cava</p> <p>4 Pulmonary</p> <p>5 Hepatic</p> <p>6 Hepatic portal</p>	<p>7-20 Arteries</p> <p>7 Renal</p> <p>8 Genital</p> <p>9 Iliac</p> <p>10 Carotid</p> <p>11 Subclavian</p> <p>12 Aorta</p> <p>13 Pulmonary</p> <p>14 Hepatic</p>	<p>15 Gastric</p> <p>16 Anterior mesenteric</p> <p>17 Posterior mesenteric</p> <p>18 Renal</p> <p>19 Genital</p> <p>20 Iliac</p>
--	---	---	--

More ... over →

Fill in the table below, identifying the blood vessels and predicting their function based on their location in the body. The first one has been done for you. Be careful to follow the example closely.

Organ	Artery	Function	Vein	Function
Head	<i>carotid</i>	1) type of blood: <i>oxygenated</i> 2) from: <i>heart</i> 3) to: <i>head</i>	<i>jugular</i>	1) type of blood: <i>deoxygen.</i> 2) from: <i>head</i> 3) to: <i>heart</i>
Arms		1) type of blood: 2) from: 3) to:		1) type of blood: 2) from: 3) to:
Kidney		1) type of blood: 2) from: 3) to:		1) type of blood: 2) from: 3) to:
Legs		1) type of blood: 2) from: 3) to:		1) type of blood: 2) from: 3) to:
Intestines		1) type of blood: 2) from: 3) to:		1) type of blood: 2) from: 3) to:
Lungs		1) type of blood: 2) from: 3) to:		1) type of blood: 2) from: 3) to:

Based on the table above and the diagram you previously labelled, predict the path of blood in the systemic circuit, from the heart to the kidney and back. Include the words “arterioles”, “venules”, and “capillaries” where appropriate.

Left ventricle _____
 Kidneys _____
 _____ Right atrium.